

Piezoelectronic Products

FCD Series FCD1070MA Type

Ceramic Discriminators

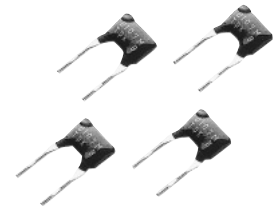
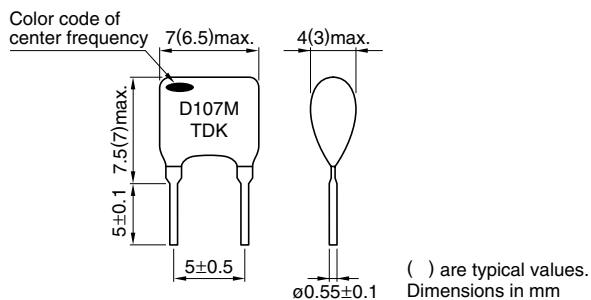
Lead

CERAMIC DISCRIMINATORS 10.7MHz

FEATURES

- Compact and low profile.
- Low temperature coefficient for low dispersion and stable characteristics.
- Use in combination with IF band-pass filters to eliminate need for adjustment.

SHAPES AND DIMENSIONS



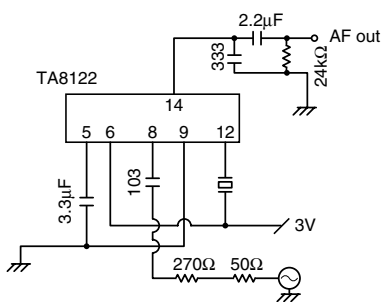
ELECTRICAL CHARACTERISTICS

Part No.	Center frequency F ₀	Color code of center frequency	Demodulation output V _{out} (mV)min.	Demodulation distortion ratio D _{fo} (%)max.	Applied IC name
FCD1070MA □ □ U			80 (100)	0.8(0.4)	CX20029
FCD1070MA □ □ URL			280 (395)	1.0(0.3)	LA1832
FCD1070MA □ □ UK5L	10.67MHz±30kHz	Blue	45 (50)	1.0(0.6)	LA1822
FCD1070MA □ □ UDL	10.70MHz±30kHz	Red	60 (80)	1.5(0.8)	TA8122
FCD1070MA □ □ UEL	10.73MHz±30kHz	Orange	60 (80)	1.0(0.4)	TA8132
FCD1070MA □ □ UYL			60 (85)	1.0(0.6)	TA2008

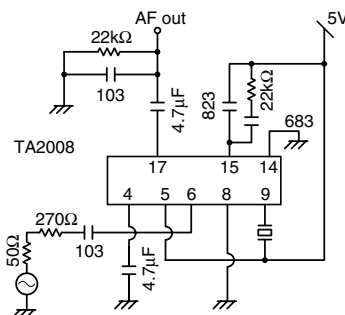
• () show typical values.

TYPICAL MEASURING CIRCUIT

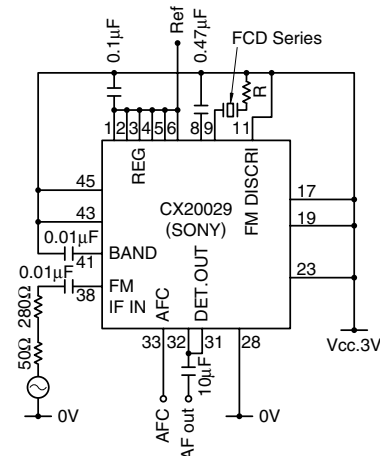
FCD1070MA □ □ UDL



FCD1070M □ □ UYL



FCD1070MA □ □ U



- Ceramic discriminators are classified by exclusive IC numbers. Please ask for TDK part number.

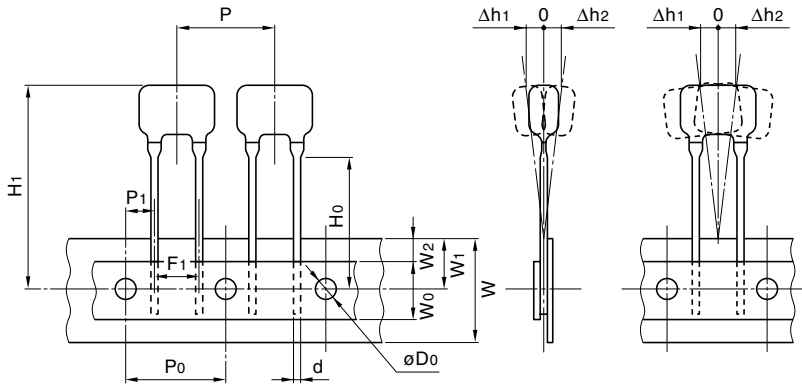
Piezoelectric Products

Ceramic Discriminators

Lead

FCD Series FCD1070MA Type

TAPING SPECIFICATIONS



Dimensions in mm

Type	FCD1070
P	12.7±1
P0*1	12.7±1
P1	6.35±1.3
F1, F2*2	5±0.3
W	18+1, -0.5
W0	11.5min.
W1	9±0.5
W2	5max.
H0*3	16±0.5
øD0	ø4±0.2
Δh1, Δh2*4	2max.
d	0.55±0.1
H1	30max.

*1 The cumulative pitch tolerance is ±1mm at 20 pitches.

*2 The measurement position is the top of the tape and between the leads.

*3 The product with this dimension is also available.

*4 The measurement position is at a product of the top.